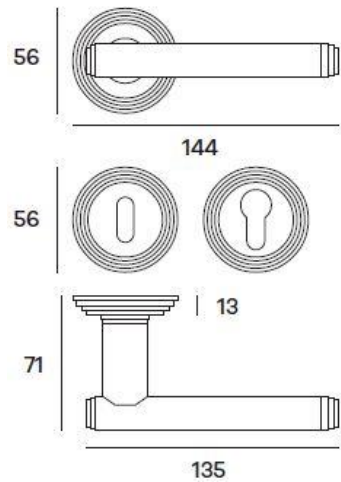


Forms & Guise

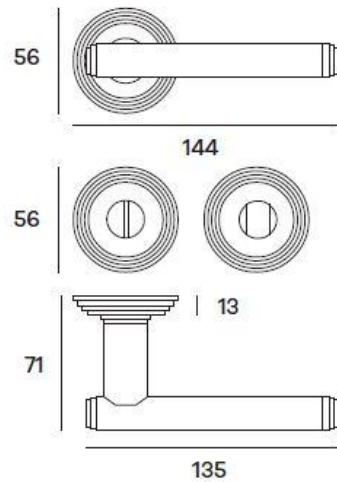


EXA

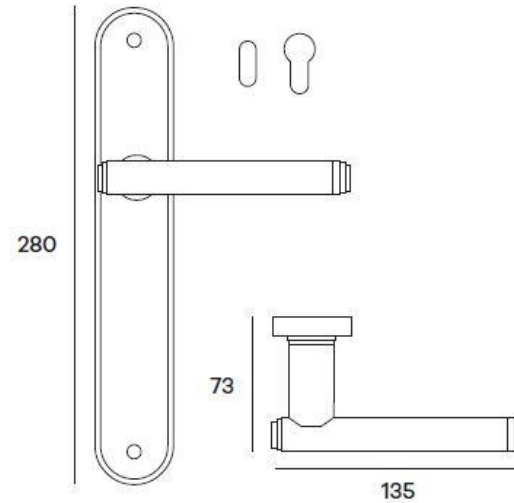
Doorhandle on rose



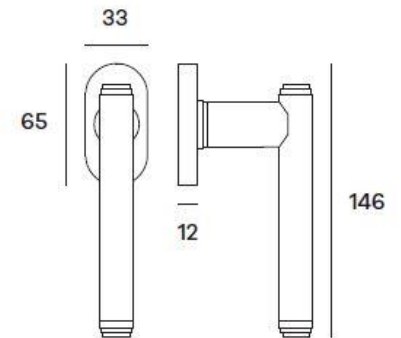
Doorhandle on WC rose



Doorhandle on plate



Windowhandle DK



PROPERTY OF COMIT SRL - ALL RIGHTS RESERVED

RESERVES THE RIGHT TO CHANGE, WITHOUT NOTICE, ANY MODIFICATION TO THE FUNCTIONAL IMPROVEMENT AND PRODUCT QUALITY. THE INFORMATION AND DRAWINGS SHOWN IN THIS CATALOG, AS WELL AS HAVING PURELY ILLUSTRATIVE, ARE SUBJECT TO CHANGE. THE COLORS AND MATERIALS PRESENTED IN THIS PUBLICATION ARE INDICATIVE, CONSISTENT WITH THE LIMITATIONS OF REPRODUCTIONS AND PRINTING. LITTLE CHANGES OF COLOR AND TONE MAY OCCUR. ONCE CONFIRMED THE ORDER, THE CUSTOMER ACCEPTS SUCH TOLERANCES. THE SIZES INDICATED IN THIS CATALOG ARE IN MILLIMETERS. PRINTING ERRORS MAY BE REVIEWED AND COMMUNICATED LATER

Forms & Guise

REPORT CERTIFIED
PAINTING HANDLES



REPORT CERTIFIED 2022
painting handles



- Scratch resistance (UNI EN ISO 1518)
- Corrosion resistance (UNI EN ISO 9227)
- Moisture resistance (UNI EN ISO 6270)
- Cross-cutting and adhesion test (UNI EN ISO 2409)
- Coating thickness measurement (UNI EN ISO 2178)
- Surface hardness measurement with pencil (UNI EN ISO 15184)

MATERIA PRIMA - RAW MATERIAL

PANI OTTONE - BRASS: CuZn37Pb2-CW606N55

Cu %	Pb %	Sn %	Ni %	Fe %	Al %	Mn %	Si %	Zn %
> 58	2,1-2,8	< 1	< 1	< 1	0,4-0,8	< 0,3	< 0,05	resto

BARRA OTTONE - BRASS: CuZn40Pb2-CW617N

Cu %	Pb %	Sn %	Ni %	Fe %	Al %	Mn %	Si %	Zn %
57-59	1,6-2,5	< 0,3	< 0,3	< 0,3	< 0,05		Tot. < 0,2	

ACCIAIO INOX - STAINLESS STEEL: AISI 304

Cr %	Ni %	C %	Mn %	Si %	S %	P %
18-20	8-11	< 0,08	< 2	< 0,75	< 0,3	< 0,04

LEGA DI ZINCO - ZINC ALLOY: ZnAl4 (ZL0400) - ZAMAK 13

Zn %	Al %	Cu %	Fe %	Mg %
> 95	3,8-4,2	< 0,03	< 0,02	0,035-0,06

PROPERTY OF COMIT SRL - ALL RIGHTS RESERVED

RESERVES THE RIGHT TO CHANGE, WITHOUT NOTICE, ANY MODIFICATION TO THE FUNCTIONAL IMPROVEMENT AND PRODUCT QUALITY. THE INFORMATION AND DRAWINGS SHOWN IN THIS CATALOG, AS WELL AS HAVING PURELY ILLUSTRATIVE, ARE SUBJECT TO CHANGE. THE COLORS AND MATERIALS PRESENTED IN THIS PUBLICATION ARE INDICATIVE, CONSISTENT WITH THE LIMITATIONS OF REPRODUCTIONS AND PRINTING. LITTLE CHANGES OF COLOR AND TONE MAY OCCUR. ONCE CONFIRMED THE ORDER, THE CUSTOMER ACCEPTS SUCH TOLERANCES. THE SIZES INDICATED IN THIS CATALOG ARE IN MILLIMETERS. PRINTING ERRORS MAY BE REVIEWED AND COMMUNICATED LATER